

**PARTIAL PLAN - BASEMENT 1**  
 SCALE: 3/16"=1'-0"  
 TOP FIN. FLOOR = 285'-0"

**PARTIAL PLAN - MEZZANINE LEVEL**  
 SCALE: 3/16"=1'-0"  
 TOP FIN. FLOOR = 297'-0"  
 TOP STEEL = 296'-8"

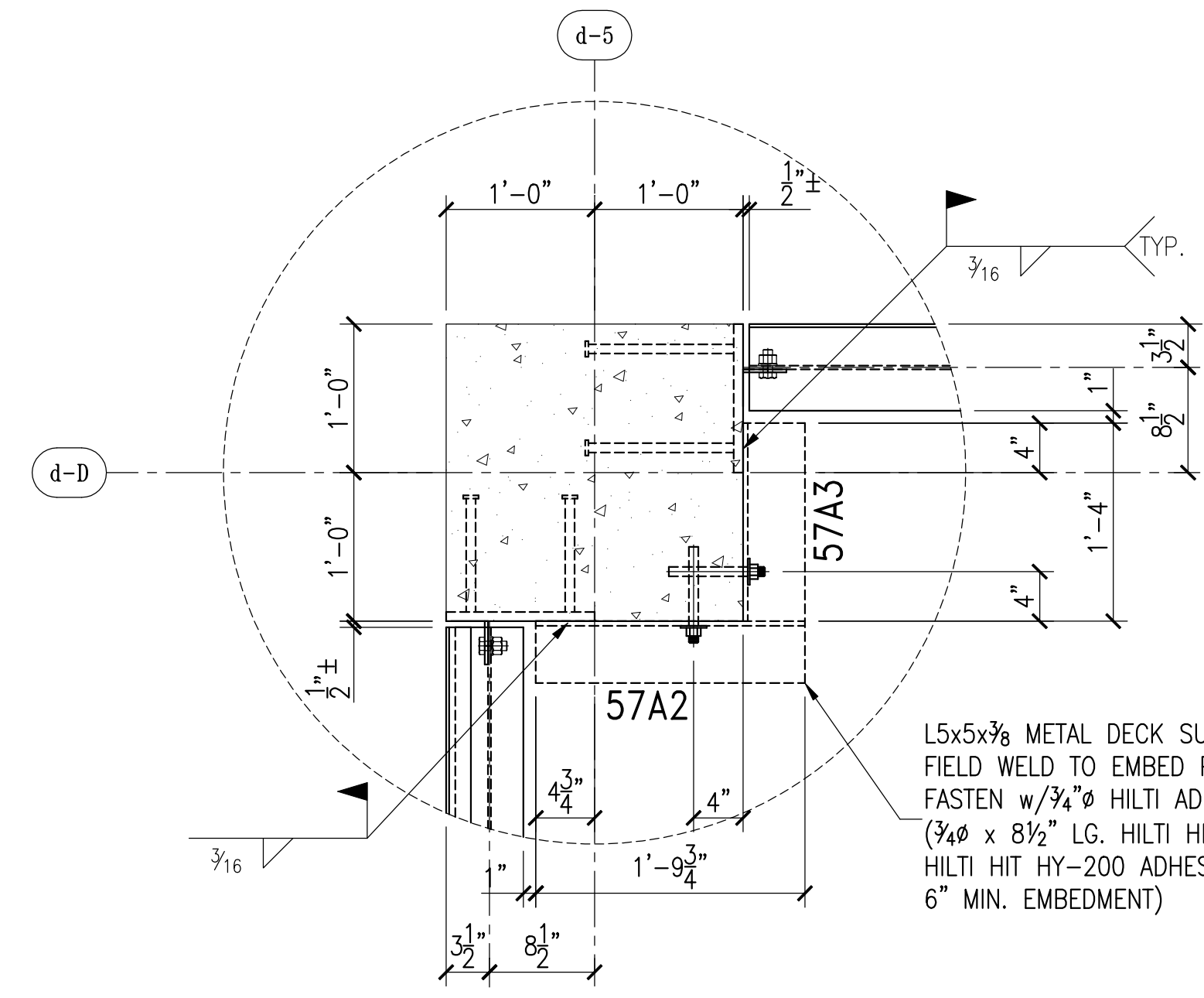
REF: A-103A, A-123A, S-131, S-408 (RFI #238)

NOTE:  
 WORK w/ DWG E25  
 EMBED PLATE LOCATIONS

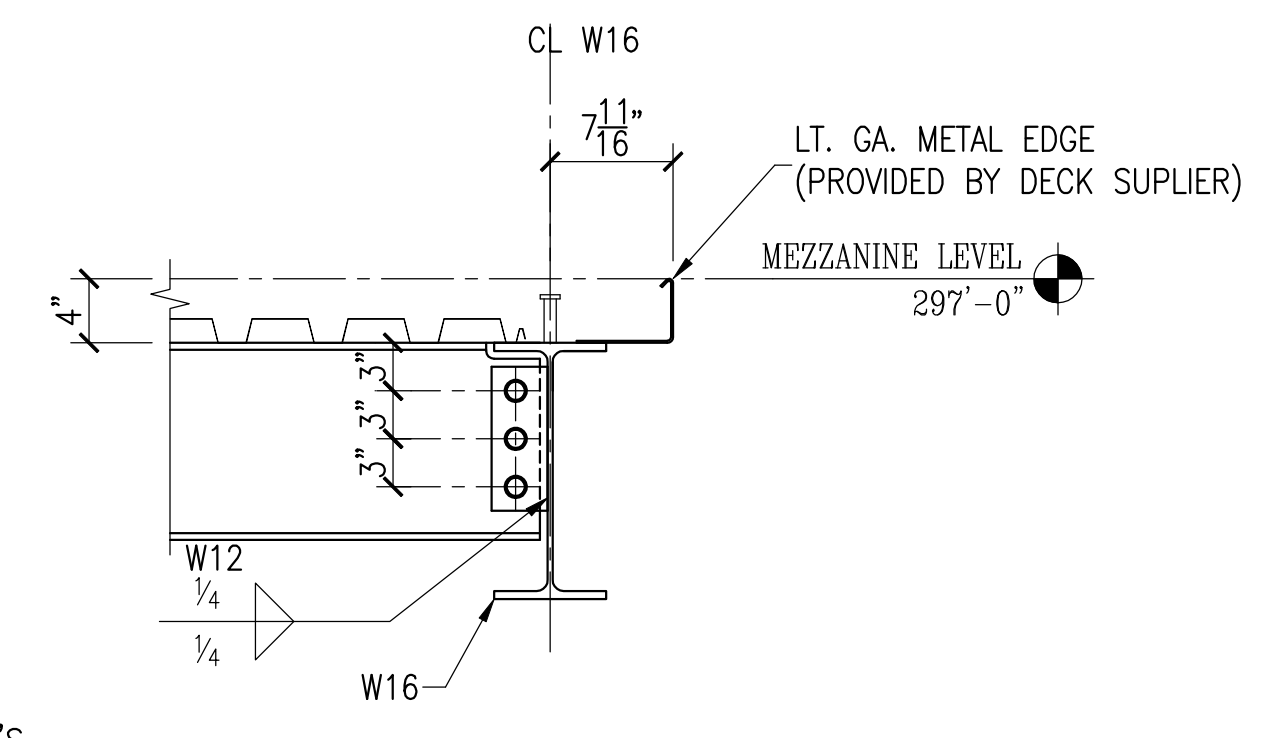
FINISH: 1 S/C PRIMER

1 1/2 x 20 GA. B-LOK  
 (MIN. 3-SPAN CONTINUOUS)  
 METAL DECK (GALV.)

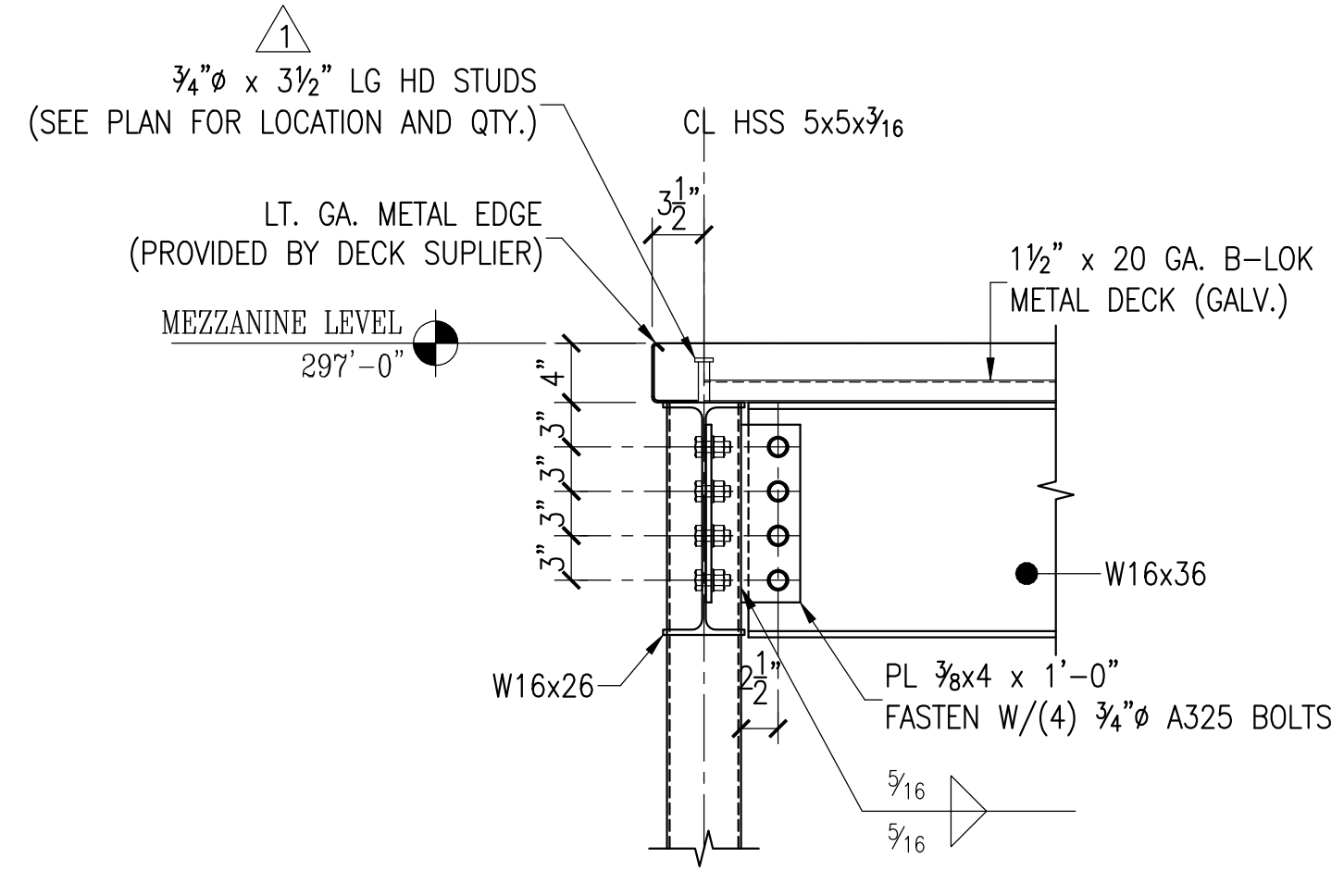
**CADD RESOURCES LLC**  
 stan.figura@caddresourcesllc.com



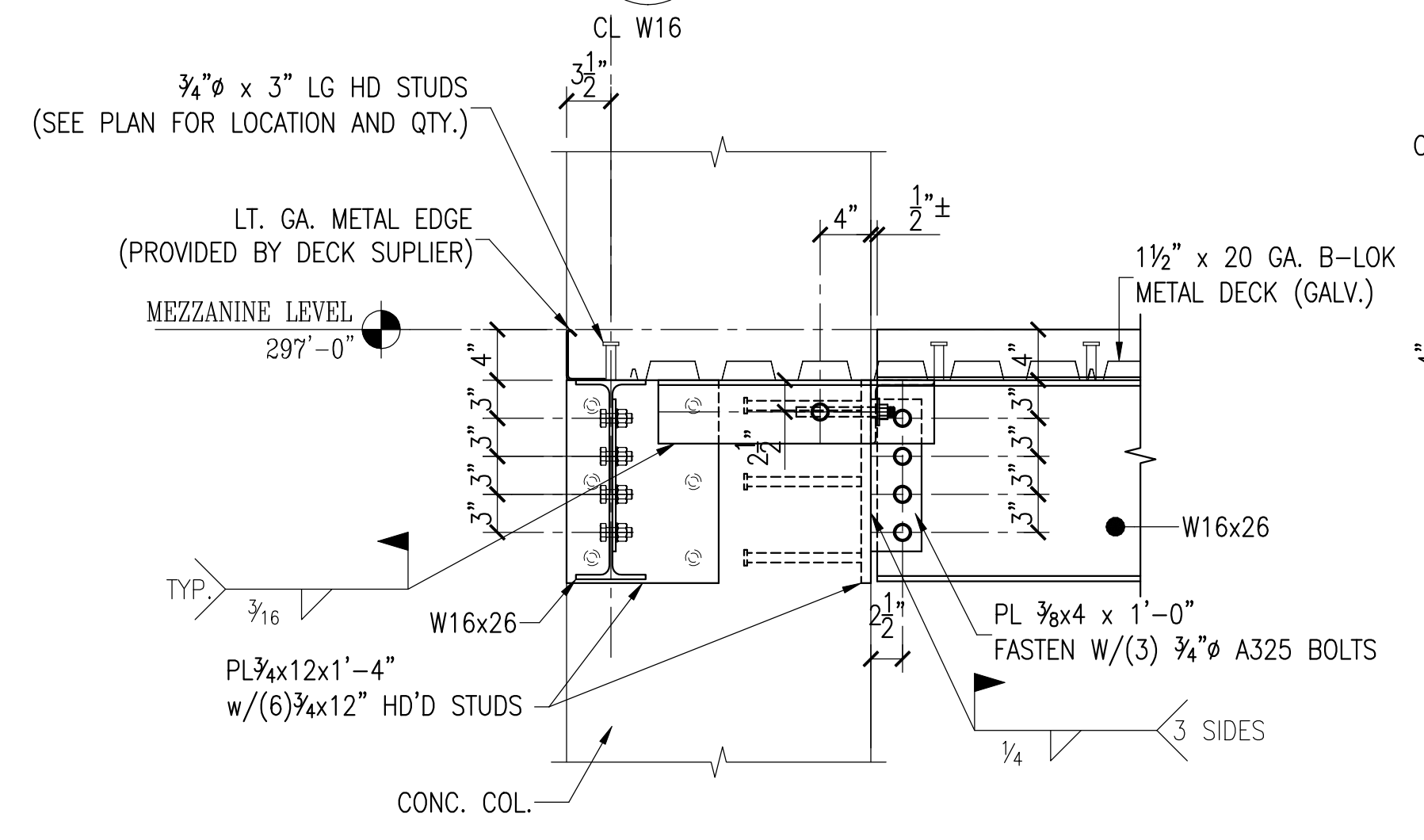
4 DETAIL  
E59 SCALE: 1:12



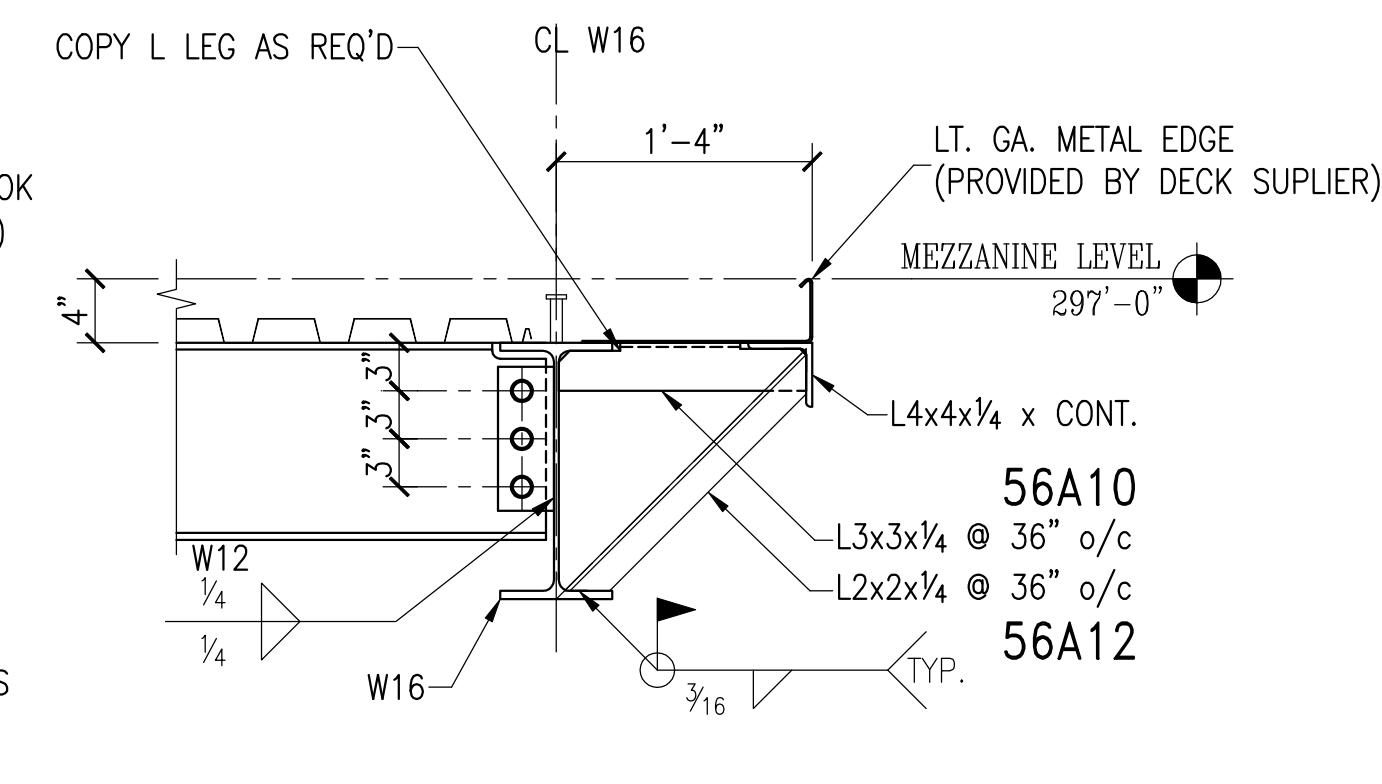
8 DETAIL  
E59 SCALE: 1:12



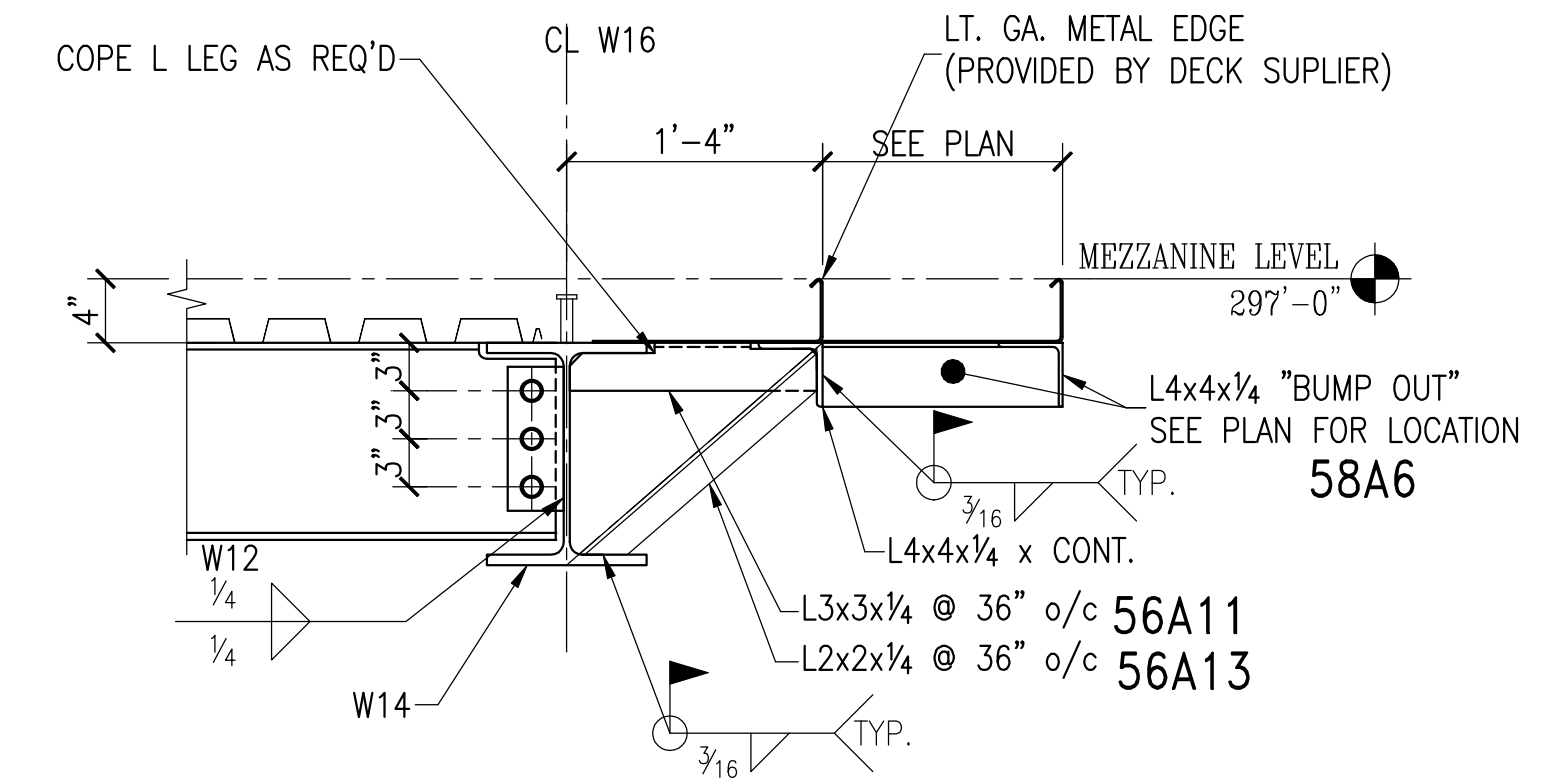
3 DETAIL  
E59 SCALE: 1:12



5 DETAIL  
E59 SCALE: 1:12

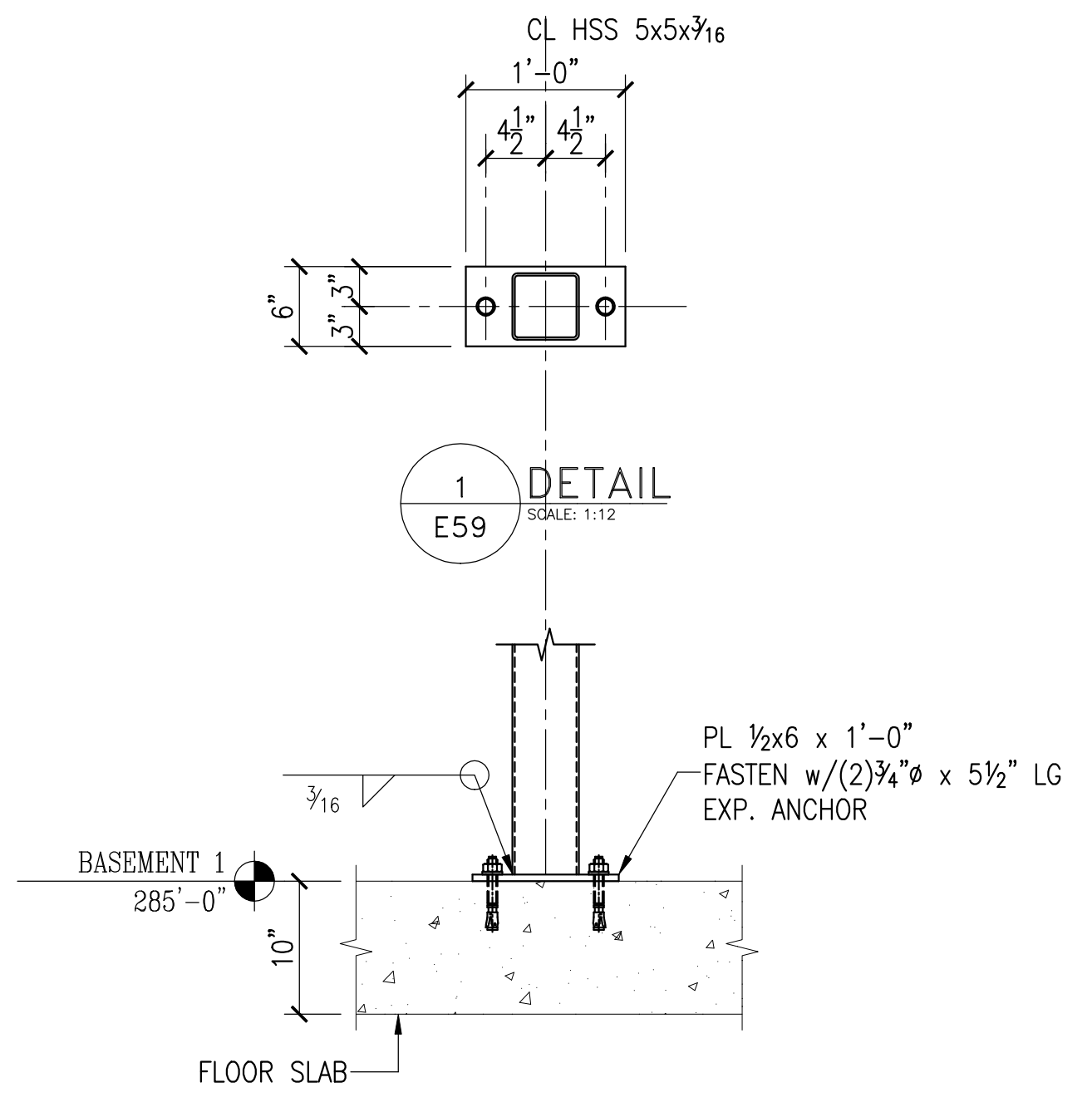


6 DETAIL  
E59 SCALE: 1:12

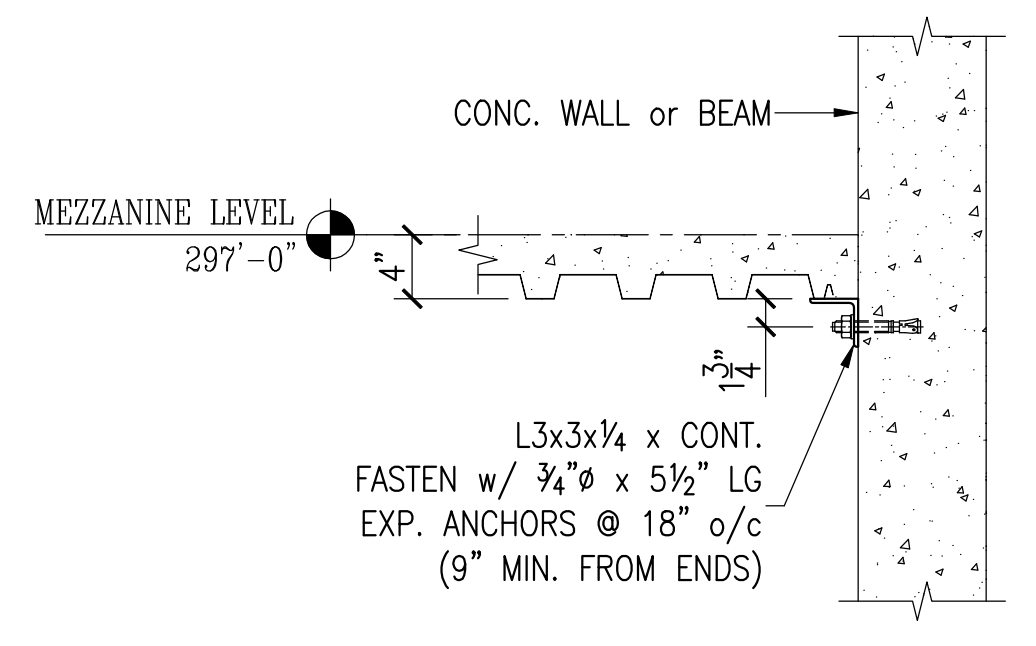


7 DETAIL  
E59 SCALE: 1:12

FINISH: 1 S/C PRIMER



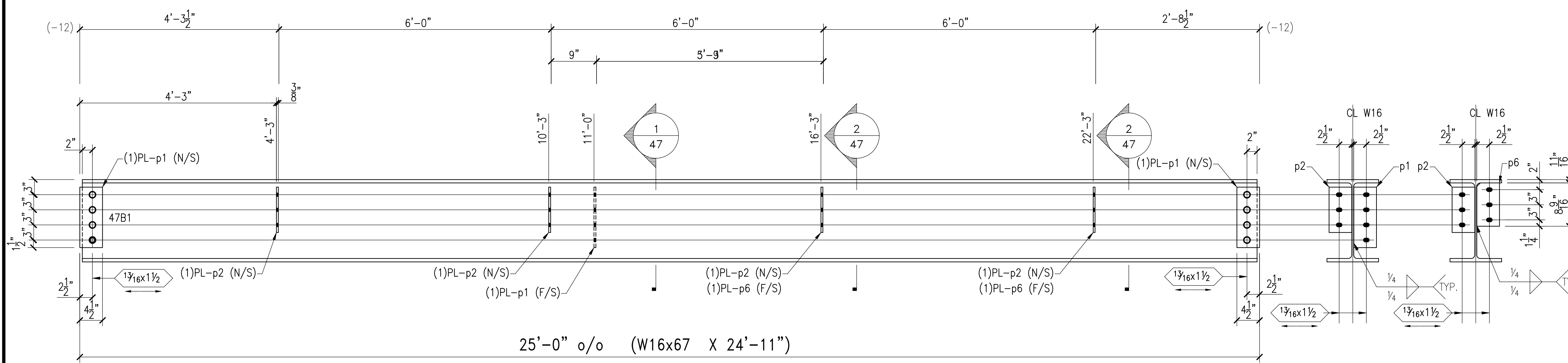
1 DETAIL  
E59 SCALE: 1:12



9 DETAIL  
E59 SCALE: 1:12

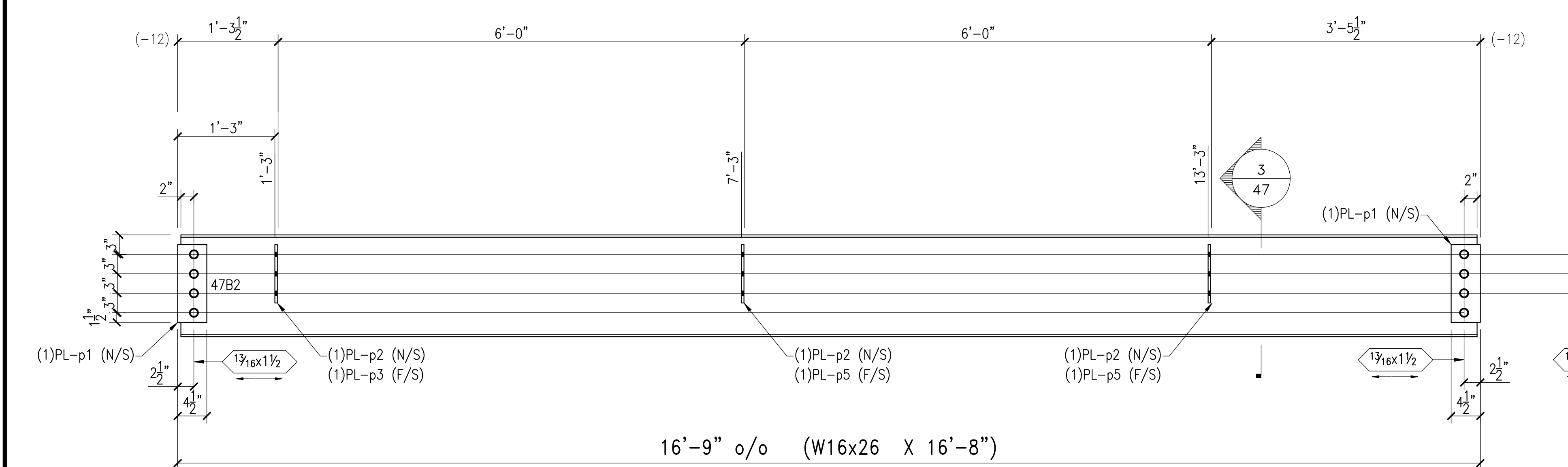
2 DETAIL  
E59 SCALE: 1:12

CADD RESOURCES LLC  
stan.figura@caddresourcesllc.com



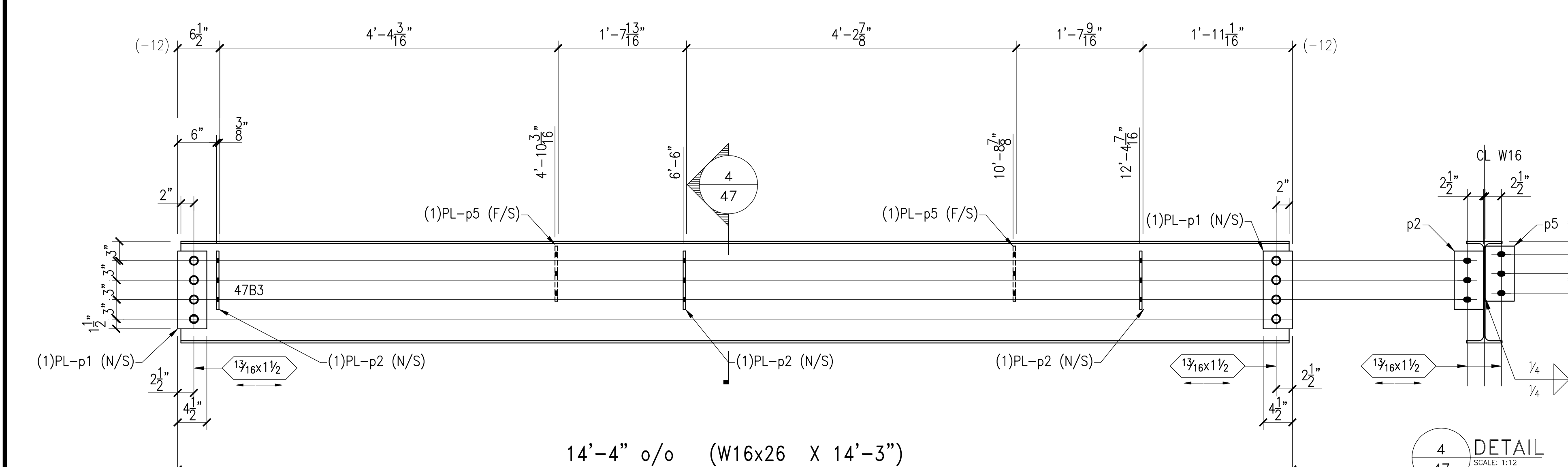
ONE - BEAM - 47B1

1 DETAIL SCALE: 1:12  
2 DETAIL SCALE: 1:12



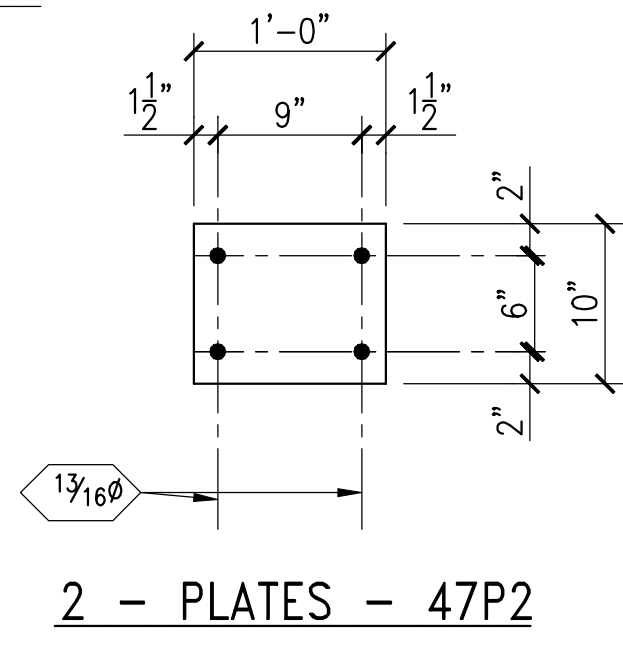
ONE - BEAM - 47B2

3 DETAIL SCALE: 1:12

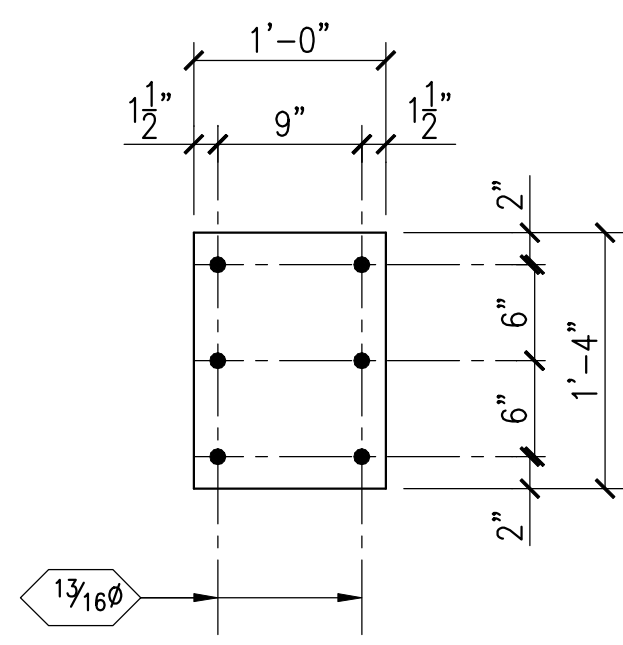


ONE - BEAM - 47B3

4 DETAIL SCALE: 1:12



2 - PLATES - 47P2



3 - PLATES - 47P1

BILL OF MATERIAL

| ITEM NO. | NO. REQ'D | SHIP MARK | ASS'BL Y MARK | SHAPE             | LENGTH |        | REMARKS  | WEIGHT |
|----------|-----------|-----------|---------------|-------------------|--------|--------|----------|--------|
|          |           |           |               |                   | FEET   | INCHES |          |        |
| 1        | 1         | 47B1      |               | BEAM              |        |        |          |        |
| 2        | 1         |           |               | W16x67            | 24     | 11     |          |        |
| 3        | 3         |           | p1            | PL 3/8x4 1/2      | 1      | 0      |          |        |
| 4        | 4         |           | p2            | PL 3/8x4 1/2      | 0      | 9      |          |        |
| 5        | 2         |           | p6            | PL 3/8x4 1/2      | 0      | 8 1/16 |          |        |
| 6        | 8         |           |               | 3/4 A325          | 0      | 2      | w/ N & W |        |
| 7        |           |           |               |                   |        |        |          |        |
| 8        | 1         | 47B2      |               | BEAM              |        |        |          |        |
| 9        | 1         |           |               | W16x26            | 16     | 8      |          |        |
| 10       | 2         |           | p1            | PL 3/8x4 1/2      | 1      | 0      |          |        |
| 11       | 3         |           | p2            | PL 3/8x4 1/2      | 0      | 9      |          |        |
| 12       | 3         |           | p5            | PL 3/8x4 1/2      | 0      | 8 1/2  |          |        |
| 13       | 8         |           |               | 3/4 A325          | 0      | 2      | w/ N & W |        |
| 14       |           |           |               |                   |        |        |          |        |
| 15       | 1         | 47B3      |               | BEAM              |        |        |          |        |
| 16       | 1         |           |               | W16x26            | 14     | 3      |          |        |
| 17       | 2         |           | p1            | PL 3/8x4 1/2      | 1      | 0      |          |        |
| 18       | 3         |           | p2            | PL 3/8x4 1/2      | 0      | 9      |          |        |
| 19       | 2         |           | p5            | PL 3/8x4 1/2      | 0      | 8 1/2  |          |        |
| 20       | 8         |           |               | 3/4 A325          | 0      | 2      | w/ N & W |        |
| 21       |           |           |               |                   |        |        |          |        |
| 22       |           |           |               |                   |        |        |          |        |
| 23       | 3         | 47P1      |               | PLATES            |        |        |          |        |
| 24       | 3         |           |               | PL 3/4x12         | 1      | 4      |          |        |
| 25       |           |           |               |                   |        |        |          |        |
| 26       |           |           |               |                   |        |        |          |        |
| 27       | 2         | 47P2      |               | PLATES            |        |        |          |        |
| 28       | 2         |           |               | PL 3/4x10         | 1      | 0      |          |        |
| 29       |           |           |               |                   |        |        |          |        |
| 30       |           |           |               |                   |        |        |          |        |
| 31       |           |           |               |                   |        |        |          |        |
| 32       |           |           |               | FIELD FASTENERS   |        |        |          |        |
| 33       | 40        |           |               | 3/4 HILTI TZ      | 0      | 5 1/2  |          |        |
| 34       | 172       |           |               | 3/4 A325          | 0      | 2      | w/N & W  |        |
| 35       | 1         |           |               | HILTI HIT-Y 200 R |        |        |          |        |
| 36       | 18        |           |               | 3/4 THR'D ROD     | 0      | 11     | w/ N & W | HIT Z  |
| 37       | 59        |           |               | 3/4 THR'D ROD     | 0      | 8 1/2  | w/ N & W | HIT Z  |
| 38       |           |           |               |                   |        |        |          |        |
| 39       | 906       |           |               | 3/4 HD'D STUDS    | 0      | 3 1/2  |          |        |
| 40       |           |           |               |                   |        |        |          |        |
| 41       |           |           |               |                   |        |        |          |        |
| 42       |           |           |               |                   |        |        |          |        |
| 43       |           |           |               |                   |        |        |          |        |
| 44       |           |           |               |                   |        |        |          |        |
| 45       |           |           |               |                   |        |        |          |        |

GENERAL NOTES:  
 1. ALL WIDE FLANGE SHAPES MEET A992 REQUIREMENTS  
 2. ALL CHANNELS, PLATES, ANGLES AND BAR STOCK TO BE ASTM A36  
 3. ALL HSS TUBE STEEL TO BE ASTM A500-B  
 4. ALL PIPE TO BE ASTM A53B or ASTM A501  
 5. WELD: ELECTRODE SERIES E70xx or EQUIVALENT  
 6. HOLE SIZES: 1/16" U.N.  
 7. BOLTS: 3/4" A325N U.N.  
 8. PAINT: ONE S/C PRIMER  
 9. SURFACE PREP: N/A  
 FINISH: 1 S/C PRIMER  
 WORK w/ DWG E58 THRU E62

CADD RESOURCES LLC  
 stan.figura@caddresourcesllc.com